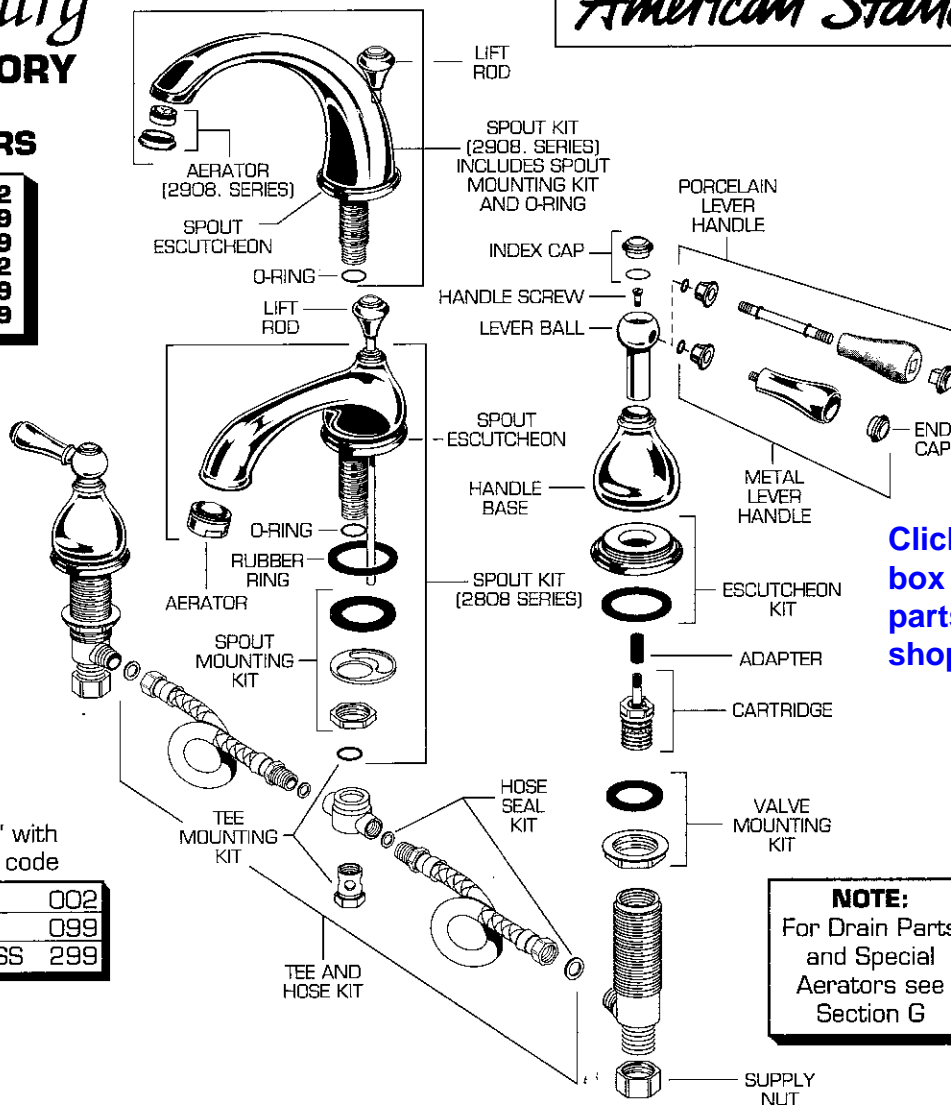


Williamsburg™

SPREAD LAVATORY FAUCET MODEL NUMBERS

2808/2908.222,002
2808/2908.222,099
2808/2908.224,002
2808/2908.224,099
2808/2908.224,299

American Standard



Click on "Red" box to add parts to shopping cart

NOTE:
For Drain Parts and Special Aerators see Section G

★ Replace the "YYY" with appropriate finish code

CHROME	002
POLISHED BRASS	099
CHROME/POL. BRASS	299

REPAIR PARTS	DESCRIPTION	PART NUMBER★	PKG QTY
Handle Parts	Porcelain Lever Handle	060353-YYY0A	1
	Index Cap	021470-YYY0A	1
	Handle Screw	918428-0070A	1
	Metal Lever Handle	060354-YYY0A	1
	Lever Ball	909410-YYY0A	1
	End Cap	021470-YYY0A	1
	Handle Base	051381-YYY0A	1
	Escutcheon Kit	051379-YYY0A	1
Spout Parts	Adapter	918049-0070A	1
	Spout Kit (2808 Series)	051377-YYY0A	1
	Spout Kit (2908 Series)	013319-YYY0A	1
	Spout Escutcheon	907965-YYY0A	1
	Spout Mounting Kit	030256-0070A	1
	Rubber Ring	911708-0070A	1
	Aerator (2808 Series)	066070-YYY0A	1
	Aerator (2908 Series)	013306-YYY0A	1
Faucet Parts	* O-Ring	912711-0070A	1
	Lift Rod	051376-YYY0A	1
	Cartridge	994053-0070A	1
	Cartridge Seal Kit	030741-0070A	1
	Valve Mounting Kit	030258-0070A	1
	Hose Seal Kit (6 pieces)	033759-0070A	1 Set
	Tee Mounting Kit	033757-0070A	1 Set
Tee and Hose Kit	033758-0050A	1 Set	
Supply Nut	024220-0070A	2	

* O-RING ALSO INCLUDED IN THE TEE MOUNTING AND HOSE SEAL KITS.

American Standard

Williamsburg™

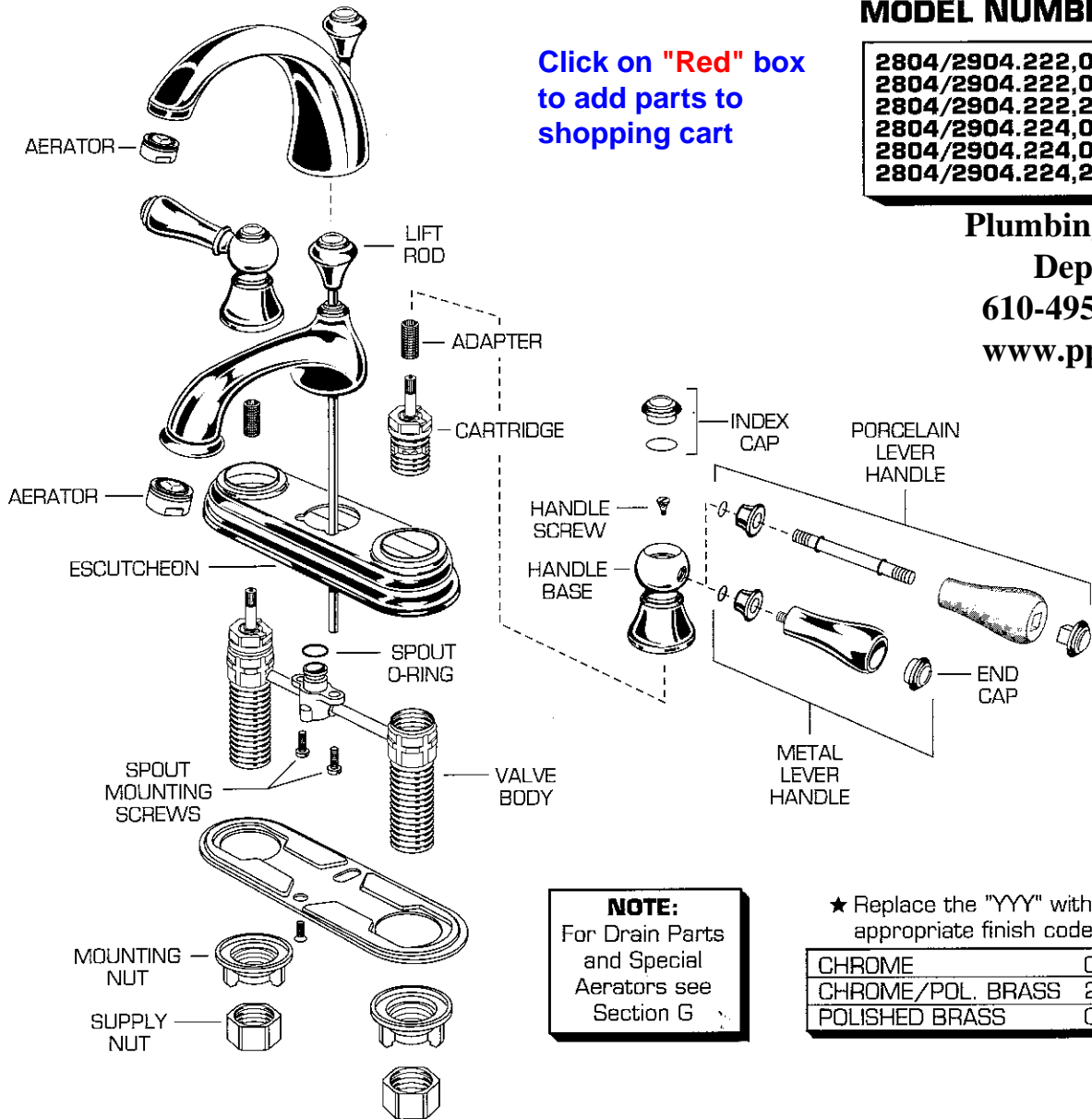
LAVATORY FAUCET

MODEL NUMBERS

2804/2904.222.002
 2804/2904.222.099
 2804/2904.222.299
 2804/2904.224.002
 2804/2904.224.099
 2804/2904.224.299

Click on "Red" box
 to add parts to
 shopping cart

Plumbing Parts
 Depot
 610-495-8790
 www.ppd1.biz



NOTE:
 For Drain Parts
 and Special
 Aerators see
 Section G

★ Replace the "YYY" with
 appropriate finish code

CHROME	002
CHROME/POL. BRASS	299
POLISHED BRASS	099

REPAIR PARTS	DESCRIPTION	PART NUMBER★	PKG QTY
Handle Parts	Porcelain Lever Handle	060353-YYYOA	1
	Index Cap	021470-YYYOA	1
	Handle Screw	918572-0070A	1
	Metal Lever Handle	060354-YYYOA	1
	End Cap	021470-YYYOA	1
	Handle Base	909411-YYYOA	1
	Adapter	918049-0070A	1
Faucet Parts	Cartridge	994053-0070A	1
	Spout O-Ring	912682-0070A	1
	Spout Mounting Screws	918301-0070A	1
Trim Parts	Aerator	066070-YYYOA	1
	Escutcheon	907013-YYYOA	1
	Lift Rod	051376-YYYOA	1
	Mounting Nut	065800-0070A	2
	Supply Nut	024220-0070A	2

Speed Connect™ Drain Troubleshooting Guide

If sink does not hold water even though Stopper is in the “down” position:

- Follow CABLE ADJUSTMENT PROCEDURE.

If Stopper does not raise up fully or sink drains too slowly:

- Follow CABLE ADJUSTMENT PROCEDURE.

If you need to remove the Stopper:

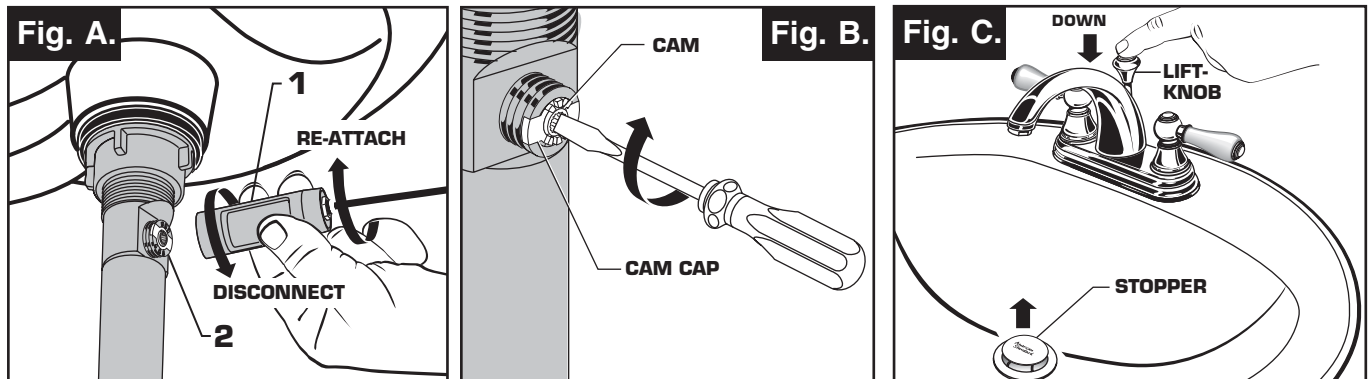
- Follow STOPPER REMOVAL PROCEDURE.

If you would like the ability to remove your Stopper simply by lifting it out of the drain:

- Follow STOPPER INSTALLATION PROCEDURE for “Unlocked” mode.

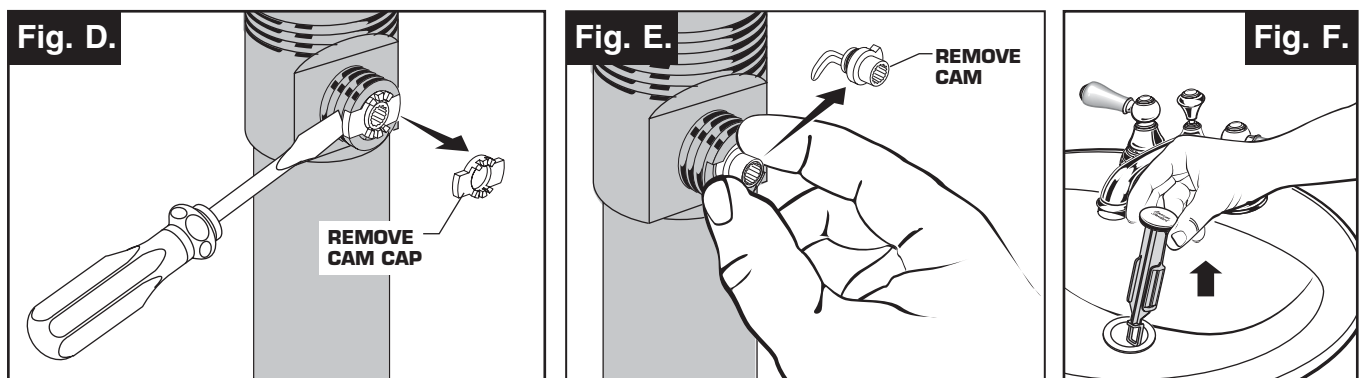
CABLE ADJUSTMENT PROCEDURE

- Disconnect the Cable from the Drain by threading the Cable Connector **(1)** counter-clockwise. **Fig. A.**
- Look at the area on the Drain Body where the Cable was attached and locate the component labeled as “Cam” in the illustration. **Fig. B.**
- Use a small screwdriver to rotate the Cam in the clockwise direction as far as it will go. At this point the Stopper should be in the UP position. **Fig. B, C.**
- Push DOWN on the Lift-Knob to make sure it is fully down. **Fig. C.**
- Re-attach the Cable to the Drain Body Connection **(2)** by threading the Cable Connector **(1)** clockwise onto the Drain Body Connection **(2)** and hand-tighten. **Fig. A.**



STOPPER REMOVAL PROCEDURE

- Disconnect the Cable from the Drain by threading the Cable Connector **(1)** counter-clockwise. **Fig. A.**
- Look at the area on the Drain Body where the Cable was attached and locate the component labeled as “Cam” and “Cam Cap” in the illustration. **Fig. B.**
- Use fingers or small screwdriver under either side of the Cam Cap to pry it out from the Drain. **Fig. D.**
- Remove the Cam by pulling it straight out while wiggling gently to loosen the Rubber Seal. **Fig. E.**
- The Stopper can now be removed by lifting it out of the Drain. **Fig. F.**

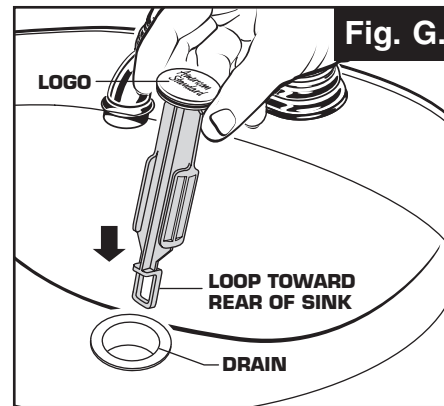


STOPPER INSTALLATION PROCEDURE

The Stopper can be installed two ways, “Locked” Mode (Stopper cannot be removed) or “Unlock” Mode (Stopper is removable).

Locked Mode:

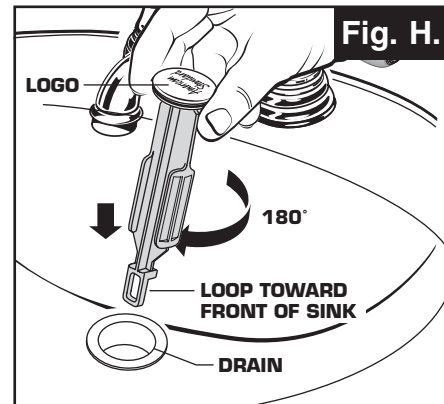
- Look at the Plastic Loop at the bottom of the Stopper and notice that the Loop is on one side of the Stopper. **Fig. G.**
- To install the stopper in “*Locked*” mode, insert the Stopper into the Drain so that the Plastic Loop is facing toward the **rear** of the Sink and the American Standard logo is facing **front**. Rotate Stopper slightly if necessary so that the Stopper slides all the way down. **Fig. G.**
- Re-install the Cam into the Drain, rotating the Cam if necessary to make sure it is fully inserted. **Fig. J.**
- Re-install the Cam Cap, making sure the guide teeth are facing outward. If the Cam Cap does not “snap” into place, then rotate the Cam to make sure it is fully inserted. **Fig. K.**
- Re-attach Cable. See “CABLE ADJUSTMENT PROCEDURE” in Troubleshooting Shooting Guide to complete installation. Stopper will be in “*Locked*” mode and not be removable.



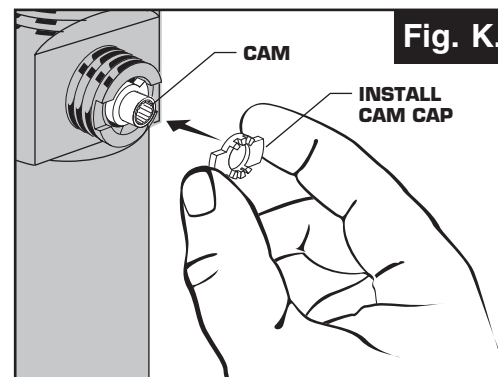
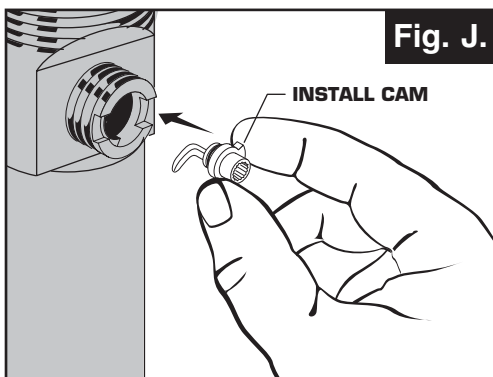
**Locked Mode
(Vandal Proof)**

Unlocked Mode:

- Look at the Plastic Loop at the bottom of the Stopper and notice that the Loop is on one side of the Stopper. **Fig. H.**
- To install the stopper in “*Unlocked*” mode, insert the Stopper into the Drain so that the Plastic Loop is facing toward the **front** of the Sink and the American Standard logo is facing **rear**. Rotate Stopper slightly if necessary so that the Stopper slides all the way down. **Fig. H.**
- Re-install the Cam into the Drain, rotating the Cam if necessary to make sure it is fully inserted. **Fig. J.**
- Re-install the Cam Cap, making sure the guide teeth are facing outward. If the Cam Cap does not “snap” into place, then rotate the Cam to make sure it is fully inserted. **Fig. K.**
- Re-attach Cable. See “CABLE ADJUSTMENT PROCEDURE” in “Troubleshooting Guide” to complete installation. Stopper will be in “*Unlocked*” mode and removable.



Unlocked Mode



TIPS FOR REMOVING YOUR OLD DRAIN:

Most existing drains can be removed quickly and easily with only a pair of channel-lock pliers or a wrench. However, there may be situations where it is difficult to remove your old drain or determine how the drain is disassembled. Depending upon the existing Drain in your sink, it is either removed from above or below the sink. The illustrations below show some typical drain installations and how they are disassembled from the sink.

The following tips can help with some of the more common challenges in drain removal:

- Loosen nuts on P-Trap using channel locks. Suggest spraying nuts with spray lubricant to loosen any corrosion or debris that may have built up. Remove P-Trap half from Tailpiece. Use bucket to catch any residual water in P-trap.
- Unthread Pivot Rod Nut from Drain Body and remove. Pull Stopper out from Drain Body.

For Drains that are removed from below Sink:

- Loosen Mounting Nut as far down as it will go. Push Drain Body up into Sink and unthread Metal Flange from Drain Body. Remove Drain Body from below sink.

For Drains that are removed from above Sink:

- Unthread Tailpiece from Drain Body.
- Loosen and remove Mounting Nut and Gasket on Drain Body using channel locks. Suggest spraying nut with spray lubricant to loosen any corrosion or debris that may have built up. Push Drain Body up into the Sink and remove.

Note: If Drain body rotates while loosening Mounting Nut, insert a screw driver into overflow hole to prevent Drain Body from rotating while Mounting Nut is removed.

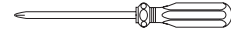
Required tools



Channel Locks



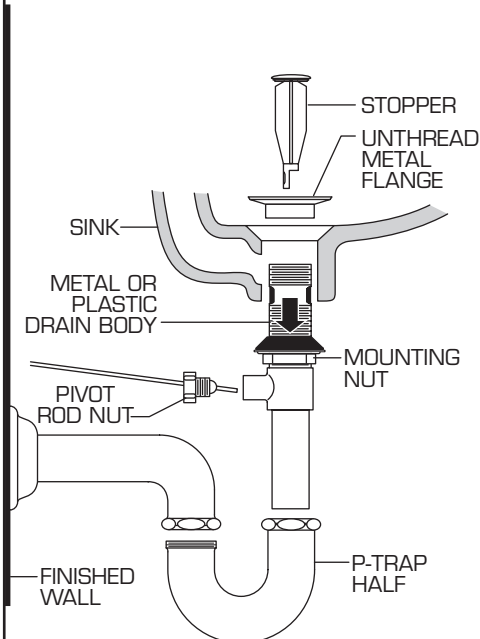
Adjustable Wrench



Phillips Screwdriver

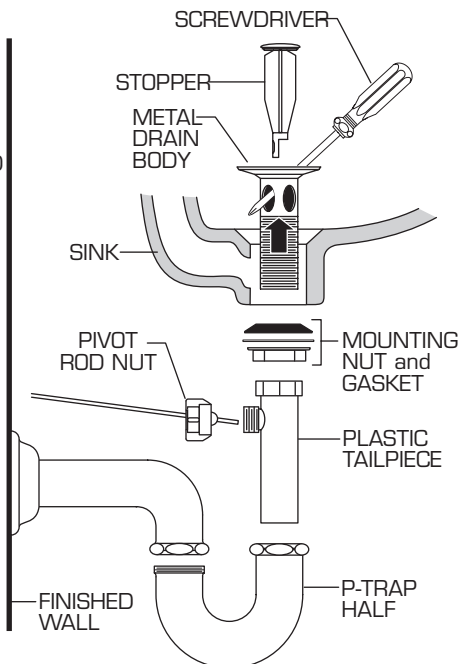
WHEN DRAIN IS REMOVED FROM BELOW SINK

METAL OR PLASTIC TWO PIECE DRAIN BODY

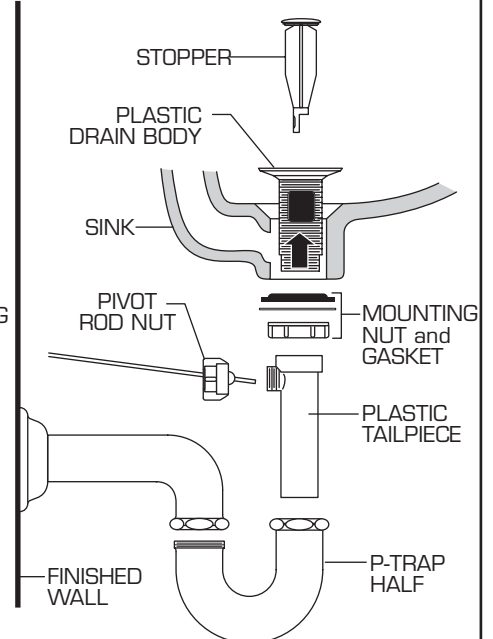


WHEN DRAIN IS REMOVED FROM ABOVE SINK

METAL DRAIN BODY WITH PLASTIC TAILPIECE

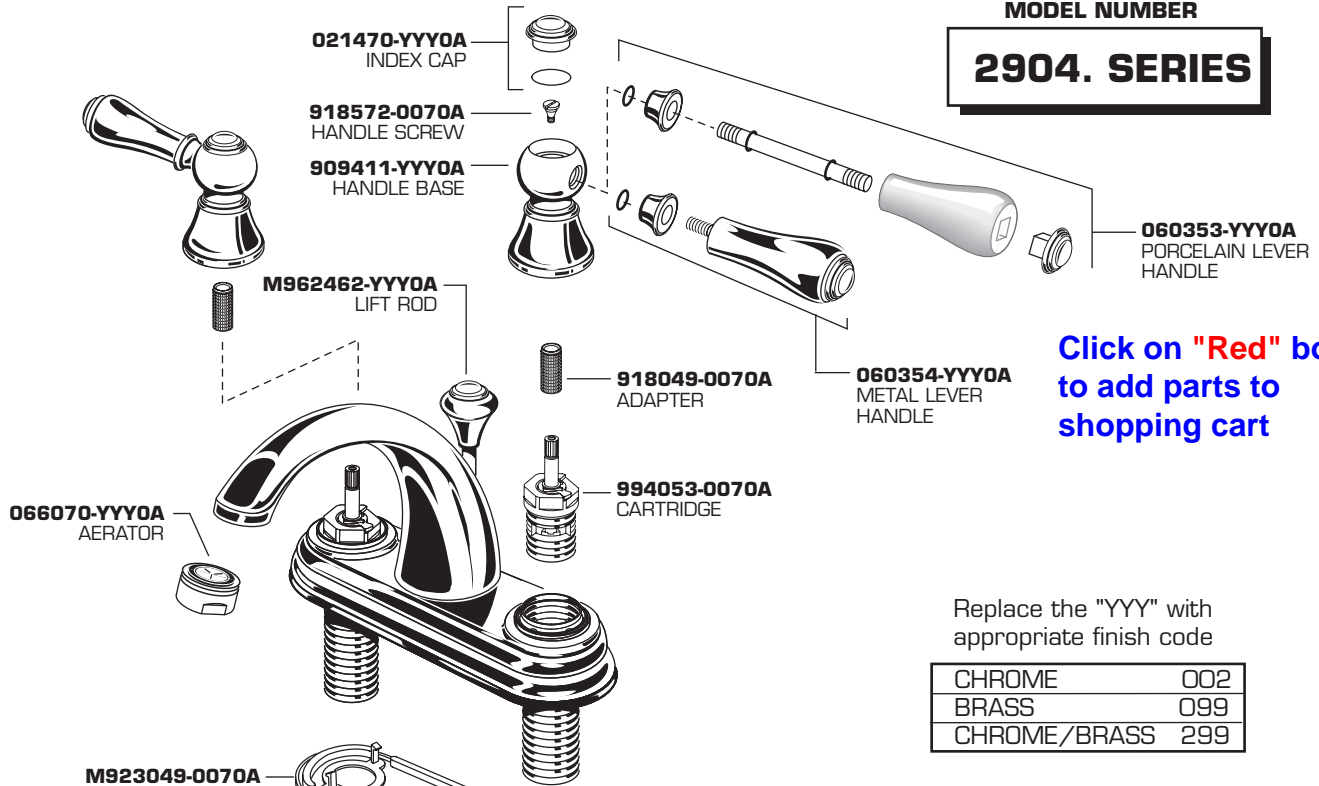


PLASTIC DRAIN BODY WITH PLASTIC TAILPIECE



MODEL NUMBER

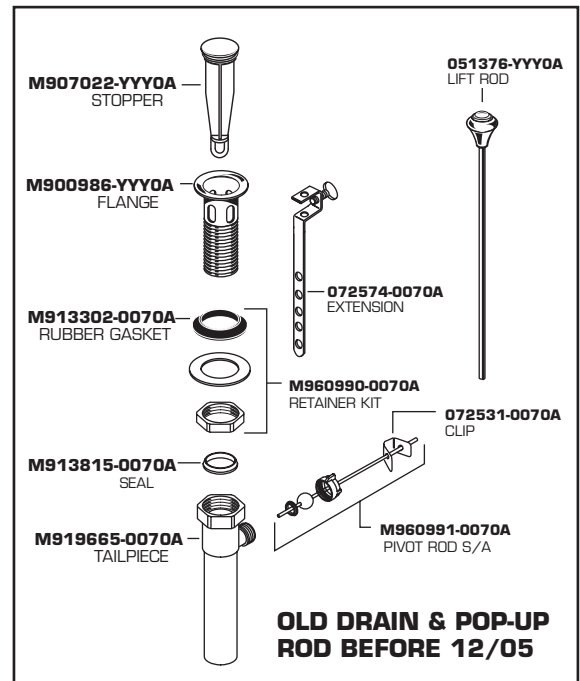
2904. SERIES



Click on "Red" box to add parts to shopping cart

Replace the "YYY" with appropriate finish code

CHROME	002
BRASS	099
CHROME/BRASS	299



HOT LINE FOR HELP

For toll-free information and answers to your questions, call:
 1-800-442-1902
 Weekdays 8:00 a.m. to 6:00 p.m. EST
 IN CANADA 1-800-387-0369 (TORONTO 1-905-306-1093)
 Weekdays 8:00 a.m. to 7:00 p.m. EST
 IN MEXICO 01-800-839-1200



Product names listed herein are trademarks of American Standard Inc.
 © AS America, Inc. 2008