

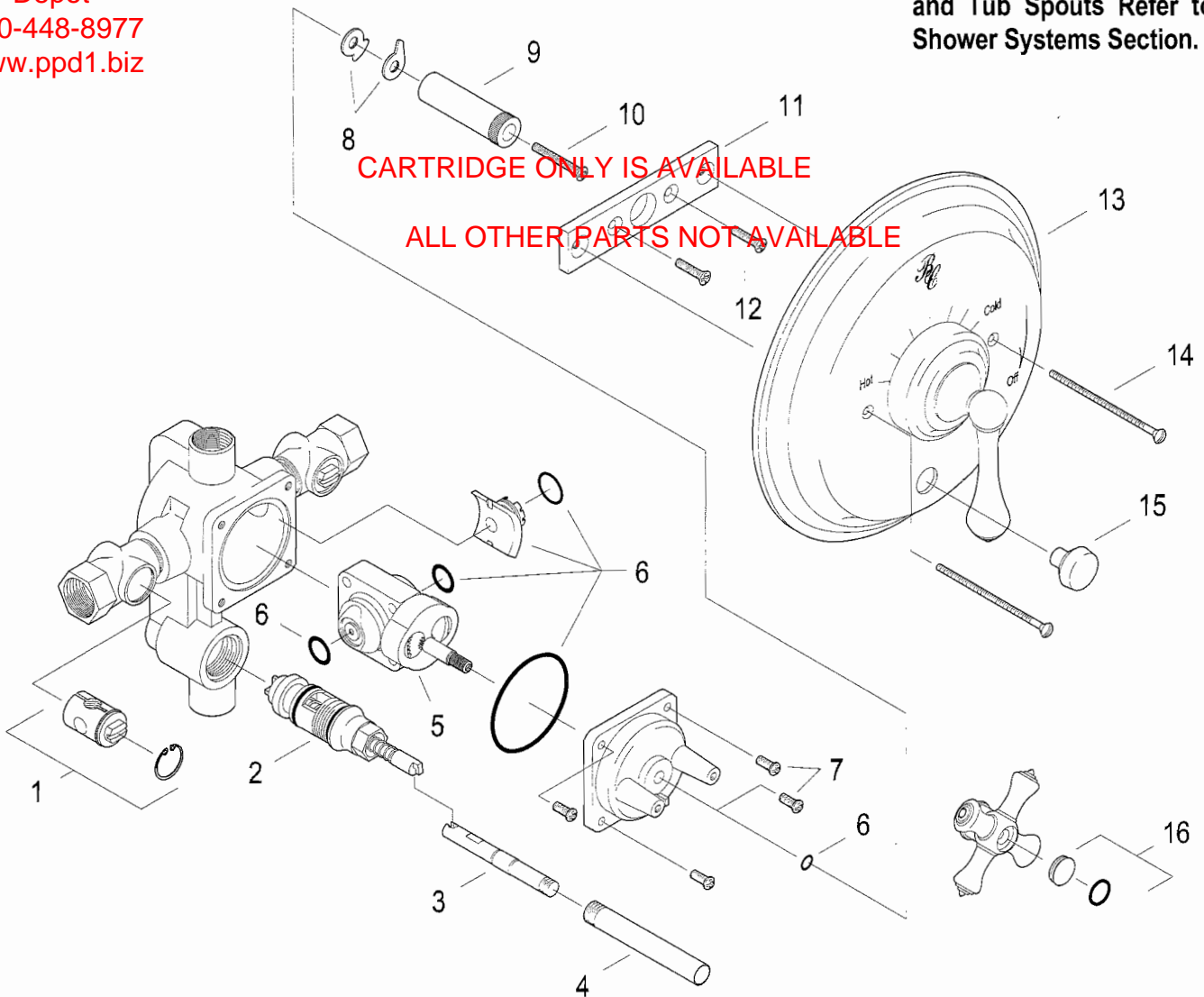
Diverting Balance Pressure (2000 or Newer)

Modular Cartridge Parts Diagram



Plumbing Parts
Depot
800-448-8977
www.ppd1.biz

For Personal Showers,
Volume Controls, Diverters
and Tub Spouts Refer to
Shower Systems Section.



Part No.	Description
----------	-------------

- | | | |
|----|--------------|---------------------------|
| 1. | 26.57415 000 | Check Stop |
| 2. | 26.57416 000 | Diverter |
| 3. | 26.57463* | Diverter Extender |
| 4. | 26.57483* | Diverter Tube |
| 5. | 41031285 | Cartridge (Standard-Flow) |
| | | Cartridge (Enhanced-Flow) |

Part No.	Description
----------	-------------

- | | | |
|-----|--------------|----------------------------|
| 6. | 26.57414 000 | O-Ring Kit (Standard-Flow) |
| | 26.50027 000 | O-Ring Kit (Enhanced-Flow) |
| 7. | 26.50019 000 | Housing Screws (4 ea.) |
| 8. | 26.50020 000 | Limit Stops (Hot & Cold) |
| 9. | 26.57649 000 | Spindle Extender |
| 10. | 26.50021 000 | Spindle Screw |
| 11. | 26.57648 000 | Mounting Bar |

Part No.	Description
----------	-------------

- | | | |
|-----|--------------|--|
| 12. | 26.50022 000 | Mounting Bar Screws (2 ea.) |
| 13. | See Note | Trim Assembly |
| 14. | 26.50023* | Trim Screws (2 ea.) |
| 15. | 26.57486* | Diverter Knob |
| 16. | 26.58165* | Index Button Set
(Includes: One "Plain" Button
& One "Brass" Button) |

26.50017* Extender Kit