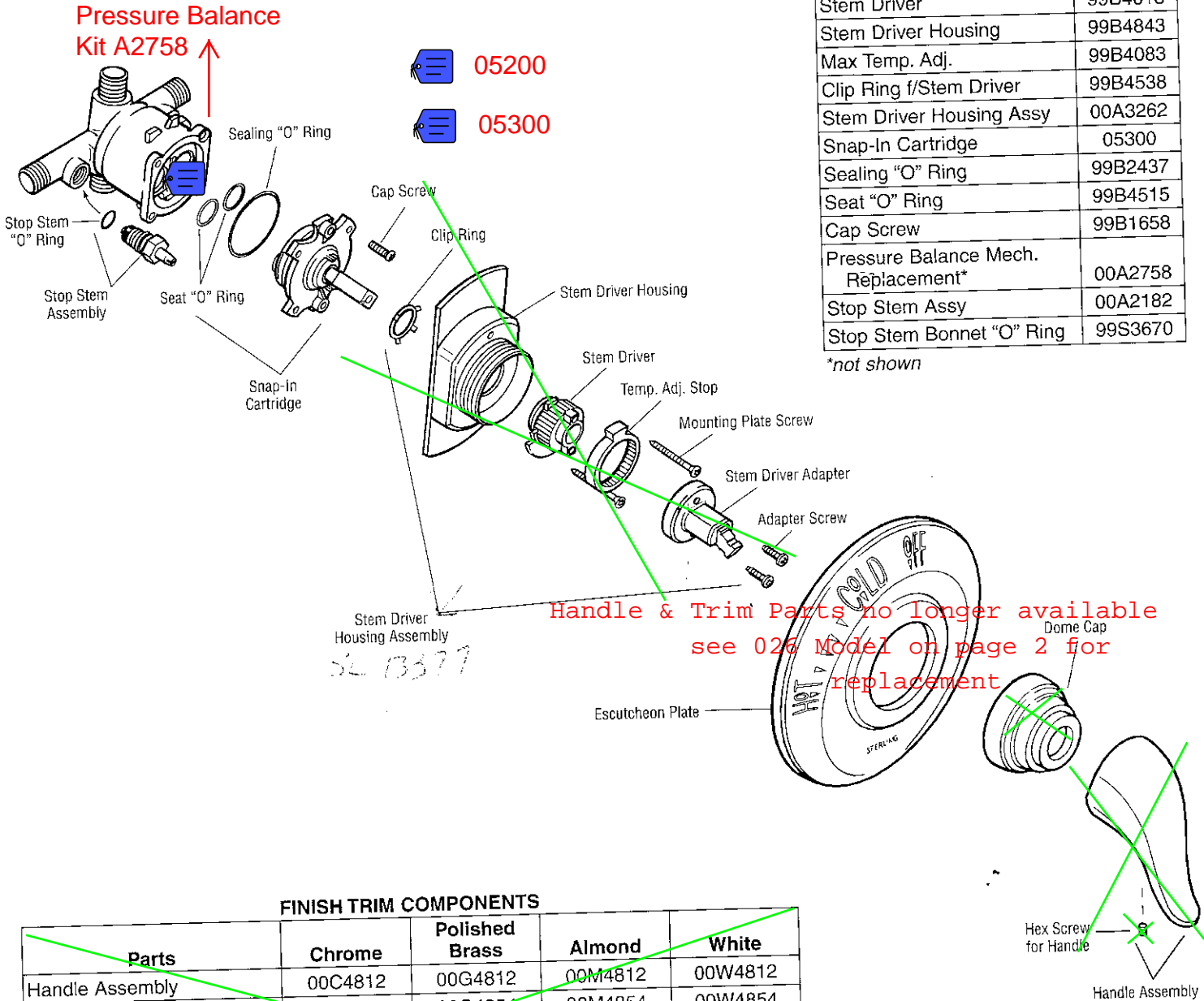


Plumbing Parts Depot
610-495-8790
www.ppd1.biz

Click on "Red" box to add parts to shopping cart

Common Parts	Part No.
Hex Screw f/Handle	99B2588
Hex Wrench f/Handle*	99B3717
Adapter Screw	99B4833
Stem Driver Adapter	99B4855
Mounting Plate Screw	99B4844
Stem Driver	99B4018
Stem Driver Housing	99B4843
Max Temp. Adj.	99B4083
Clip Ring f/Stem Driver	99B4538
Stem Driver Housing Assy	00A3262
Snap-In Cartridge	05300
Sealing "O" Ring	99B2437
Seat "O" Ring	99B4515
Cap Screw	99B1658
Pressure Balance Mech. Replacement*	00A2758
Stop Stem Assy	00A2182
Stop Stem Bonnet "O" Ring	99S3670

*not shown



FINISH TRIM COMPONENTS

Parts	Chrome	Polished Brass	Almond	White
Handle Assembly	00C4812	00G4812	00M4812	00W4812
Dome Cap	00C4854	00G4854	00M4854	00W4854
Escutcheon Plate	00C4853	00G4853	00M4853	00W4853
Showerhead, Arm & Flange*	15044	00G5044	00M5044	00W5044
Diverter Spout (Metal)*	15100	00G5100	00M5100	00W5100
Tub Spout (Metal)*	15161	00G5161	00M5161	00W5161
Diverter Spout (Plastic)*	15284	00G4455	—	—

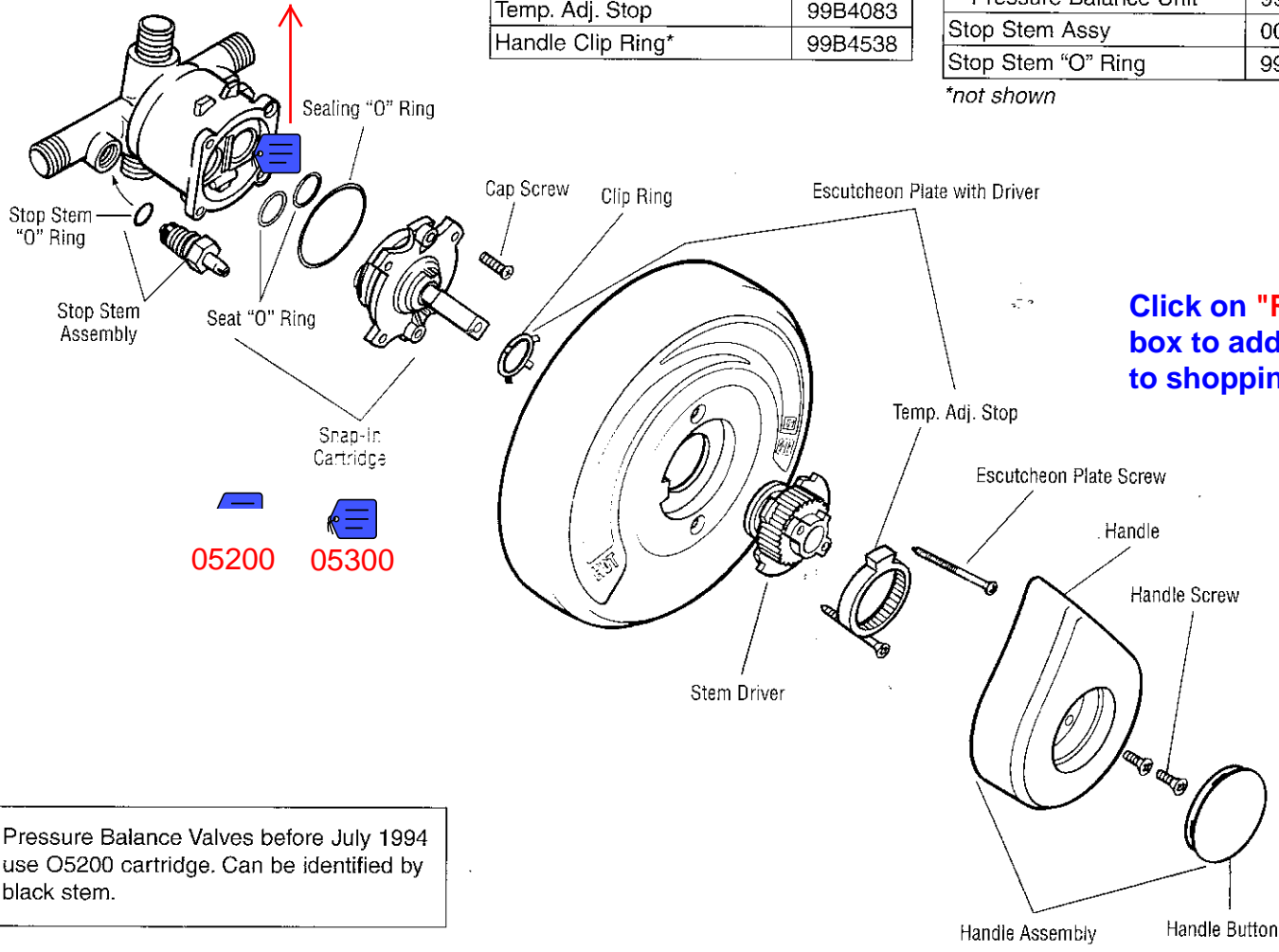
*not shown

Plumbing Parts Depot
610-495-8790
www.ppd1.biz

Common Parts	Part No.
Handle Screw	99B4482
Faceplate Screw	99B1656
Stem Driver	99B4018
Handle "O" Ring (before 1/96)	99B4003
Mixing Valve Cartridge Assy	05300
Seat "O" Ring f/Cartridge	99B4515
Temp. Adj. Stop	99B4083
Handle Clip Ring*	99B4538

Common Parts	Part No.
Stem "O" Ring	99S4961
Cap Screw	99B1658
Sealing "O" Ring for Cap	99B2437
Pressure Balance Valve Replacement Kit*	00A2758
Seat "O" Ring for Pressure Balance Unit*	99S1037
Stop Stem Assy	00A2182
Stop Stem "O" Ring	99S3670

A2758 Pressure Balance Kit



*not shown

Click on "Red" box to add parts to shopping cart

Pressure Balance Valves before July 1994 use O5200 cartridge. Can be identified by black stem.

FINISH TRIM COMPONENTS

Parts	Chrome	Polished Brass
Handle Assembly	00A2975	00G2975
Handle Button	99B3699	00G3699
Escutcheon Plate w/Driver	00A2974	00G2974
Showerhead, Arm & Flange*	15034	00G5034
Diverter Spout (metal)*	15100	00G5100
Diverter Spout (non-metallic)*	15284	00G4455
Tub Spout (metal)*	15161	00G5161
Tub Spout (non-metallic)*	15285	00G4441

*not shown

ALTERNATE PARTS FOR ACRYLIC HANDLE VALVE

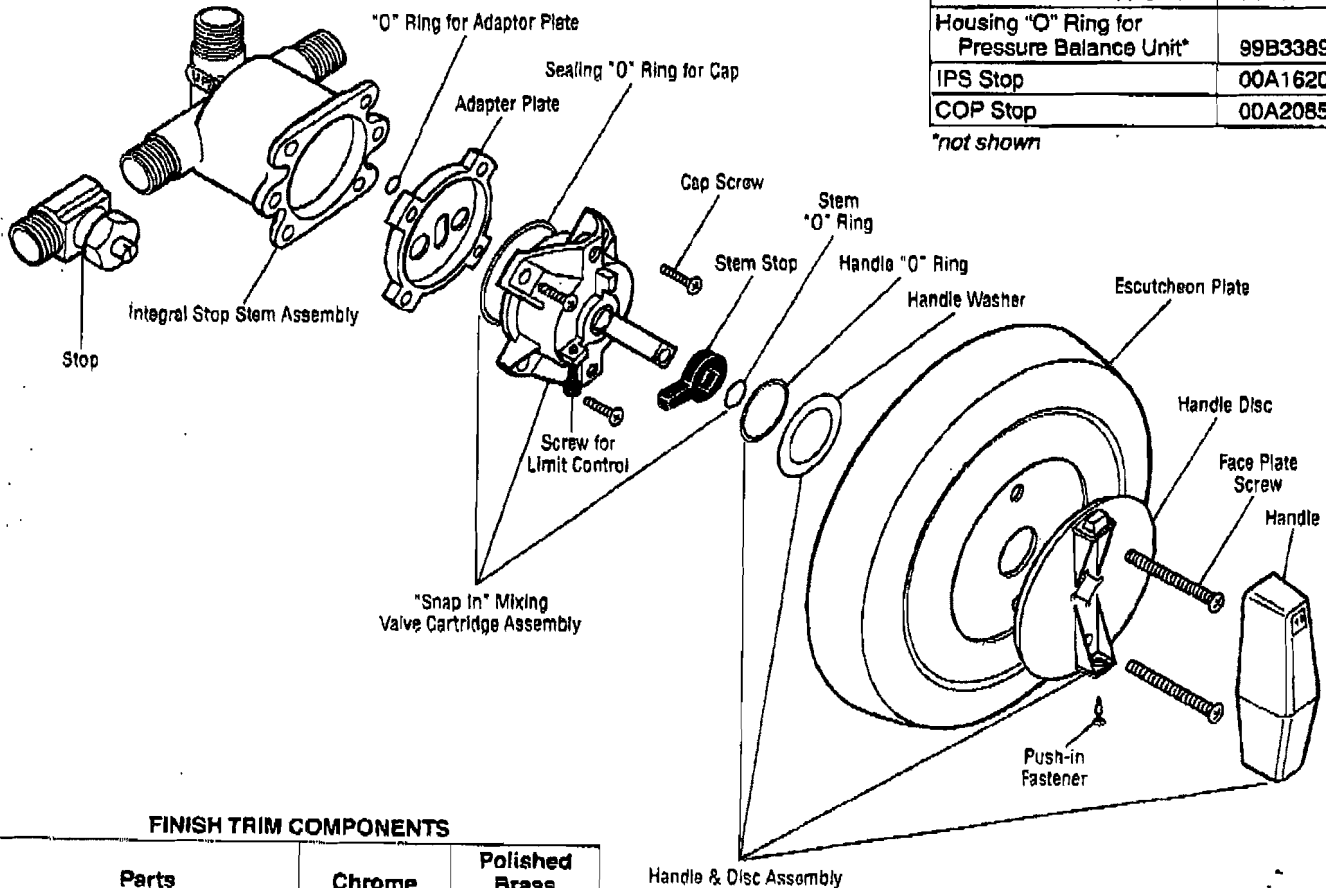
Parts	Chrome	Polished Brass
Handle Assembly	00A2777	00A2777
Button	99B9002	99B9002
Handle Screw	99B1781	99B1781
Transition Adapter	99B4451	99B4451
Adapter Screws	99B4482	99B4482
Transition Esc.	99B4450	00G4450

SEE PAGE 2 FOR CURRENT
REPLACEMENT PARTS

Common Parts	Part No.
Push-in fastener	99B3282
Faceplate Screw	99B1656
Handle Disc	99B2088
Handle Washer	99B2942
Handle "O" Ring	99S1246
Mxng Valve Ctrdge Assy	05200
Seal Spring*	99B2992
Seal*	99B3178
Kidney Seal*	99B3179
"O" Ring for Sealing Disc*	99S1322

Common Parts	Part No.
Cap "O" Ring*	99S4761
Stem "O" Ring	99S3670
Stem Stop	99B1667
Screw for limit control	99B3675
Cap Screw	99S4063
Sealing "O" Ring for Cap	99B1671
Adapter Plate	99B2653
Adapter "O" Ring*	99B2437
"O" Ring for Adapter Plate	99B2434
Pressure Balance Valve Replacement Kit	00A2758
Seat "O" Ring for Pressure Balance Unit*	99B3388
Housing "O" Ring for Pressure Balance Unit*	99B3389
IPS Stop	00A1620
COP Stop	00A2085

*not shown



FINISH TRIM COMPONENTS

Parts	Chrome	Polished Brass
Handle & Disc Assembly	00A2618	00G2618
Handle	00A2717	00G2379
Escutcheon Plate	00A2979	00G2979
Showerhead, Arm & Flange*	15034	00G5034
Diverter Spout*	15100	00G5100
Tub Spout*	15161	00G5161

*not shown