

# SAFETYMIX

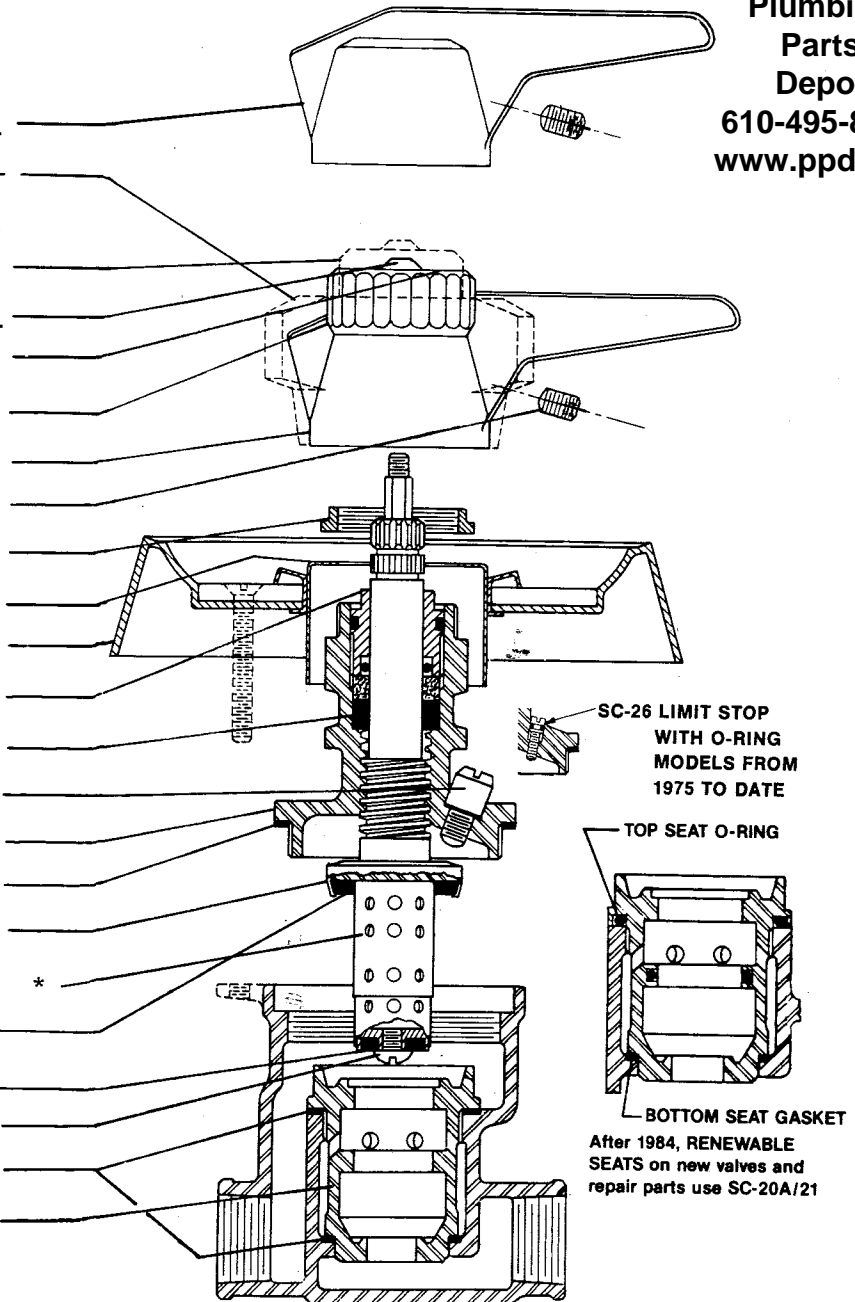
PRESSURE BALANCING  
MIXING VALVE FROM 1960 TO DATE

Identify Valve by Dial Marking,  
"Model V" or "Model O"

~~SC-14C VOLUME DIAL~~ .....  
Parts marked with dashed line as above are no longer available, replace with C-5 Spindle Assembly and either RC-14 Lever Handle or LC-14 Lucite Handle.

Plumbing  
Parts  
Depot  
610-495-8790  
www.ppd1.biz

- NO. PART NAME
- RC-14 LEVER HANDLE .....
- ~~BC-14 LUCITE HANDLE (VOL. CONTROL)~~ .....
- LC-14 LUCITE HANDLE not shown .....
- ~~BC-14B VOLUME CONTROL KNOB~~ .....
- ~~SC-14A LOCKING SCREW W/WASHER~~ .....
- ~~SC-14C VOLUME DIAL~~ .....
- ~~SC-14B VOLUME CONTROL KNOB~~ .....
- ~~SC-14 LEVER HANDLE (VOL. CONTROL)~~ .....
- SC-15 HANDLE SCREW .....
- SC-18 DOME LOCK NUT .....
- SC-13 DOME COVER .....
- SC-12 ESCUTCHEON & SCREW .....
- SC-7 PACKING NUT .....
- SC-17 PACKING .....
- SC-22A LIMIT STOP ASSY. ....
- SC-2 CAP .....
- SC-19 CAP GASKET .....
- SC-9 COLD WASHER RETAINER .....
- \* FLOW CONTROL SPINDLE .....
- SC-11 COLD WASHER } .....
- SC-10 HOT WASHER } .....
- SC-10A HOT WASHER SCREW .....
- SC-20/21 TOP & BOTTOM SEAT GASKET .....
- SC-3 RENEWABLE SEAT .....



## SEE PAGE 5 FOR SERVICE INSTRUCTIONS

### SAFETYMIX WASHER & GASKET KIT-B

### REPAIR UNITS (Complete with Washers)

- SC-9 COLD WASHER RETAINER
- SC-10/11 HOT AND COLD WASHERS
- SC-17 SPINDLE PACKING
- SC-19 CAP GASKET
- SC-10A HOT WASHER SCREW
- SC-15 HANDLE SCREW .....

- SC-3 RENEWABLE SEAT UNIT Complete .....
- \*C-5 SPINDLE ASSEMBLY MODEL O (Less Vol. Control) .....
- \*SC-5 SPINDLE ASSEMBLY MODEL V (Vol. Control) .....

**NO LONGER AVAILABLE**  
Replace with C-5 Spindle and RC-14 Handle

Note : When valve has a high frequency of use and requires repair, replace Renewable Seat and Spindle Assembly simultaneously.

FOR STOP PARTS SEE PAGE 11